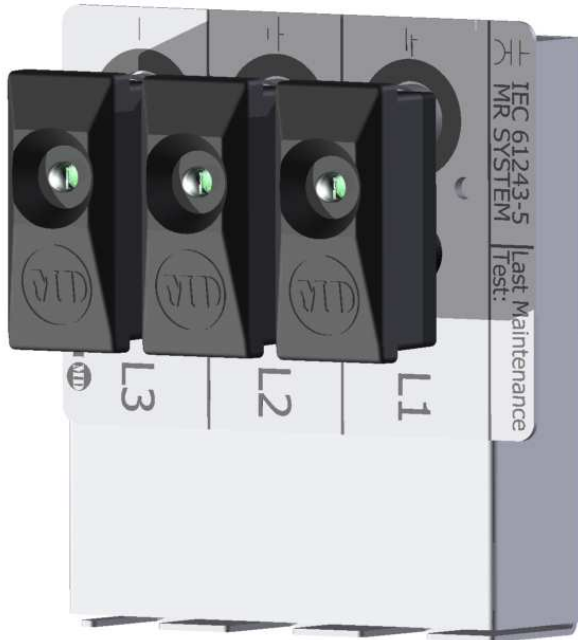


ELECTRONSYSTEM MD TECHNICAL SHEET

Revision A of 30 September 2022

**APPLICATIONS**

- Medium Voltage Switchboards

MAIN CHARACTERISTICS

- VDS/MR is a voltage detecting system conform to IEC61243-5 standard type MR, ENEL global standard GSCM004 ed.0 10/2019, GSM001 & DY803
- The device supplies continuously an electrical signal for phase comparison (without indicator) and optical blinking led for voltage indication
- Very wide and bright leds allow simple and safe visibility for personnel encharged in verification
- Suitable for indoor applications
- Fully encapsulated electronics for indicators
- LED life time guaranteed - min. 30 years
- Suitable for panel mounting

DESCRIPTION

This capacitive voltage module is used in medium voltage switchgears. The voltage detector indicator and the coupling system is tested and manufactured according to the requirements of IEC 61243-5

The indication of the voltage is displayed with one flashing LED for each phase with a separable indicator. The test sockets for phase comparing are nickel plated. The capacitive module has to be simply adapted to the capacitive bushing or the insulator , in which the module is used.

Electrical characteristics VDS/MR

Coupling capacity range	pF	From 10 to 200
Medium Voltage range	kV	From 10 to 36
Power supply		No auxiliary power requested
Indication		Red led on the indicator
Led Consumption	mW	< 1
Led Intensity	Mcd	3000@20mA
Interface		3 MR measuring socket
Temperature range	°C	-25 to +65
IP degree protection	IP	>2X coupling system, 65 the indicator
Connection input		Faston 6.3x0.8mm
Box		Coupling system: Metal frame zinc plated Indicator: Metal housing filled by epoxy resin (2 – components)

All specs are subject to change without notice

ELECTRONSYSTEM MD TECHNICAL SHEET

Revision A of 30 September 2022

Dimension VDS/MR ASSEMBLY

Drawing: 43931230

Rev./Mod Descrizione:	Data	Rev./Mod Descrizione:	Data	Rev./Mod Descrizione:	Data	Rev./Mod Descrizione:	Data
98							
77,5							
26,6							

CONFORM TO IEC61243-5, ENEL GLOBAL STANDARD GSCM004 ED.0 10/2019,
 GSM001 and DV803.

PART	QTY	DRAWING	DESCRIPTION
1	1	43931243	VDS/MR SOCKET
2	3	43931253	VDS/MR INDICATOR

* Other values available on request

Prep. Dis. **C. FORLANI**
 App. **P. GUZZETTI**
 First Issue: **06.11.2020**

Resp. Dep. **Technical Dept.**
 Uff. Resp.

Titolo **VDS/MR ASSEMBLY**
 Approvazione **43931230**
 N. Doc.

Scale: 1:1
 Sheet: 1/1
 Rev. 1

NOTE :

ORDERING CODE
VDS1230/ **80X : Group - see table 1**

Group	C2 [pF]*
805	110
806	220
803	330
807	470
802	560
808	680
809	820
810	1000
811	2200
804	3300
801	4700
812	22000

phase 6.3x0.8 faston
 ground 6.3x0.8 faston

C1: coupling capacitor
 C2: adaption capacitor

Indicator
 MR Socket

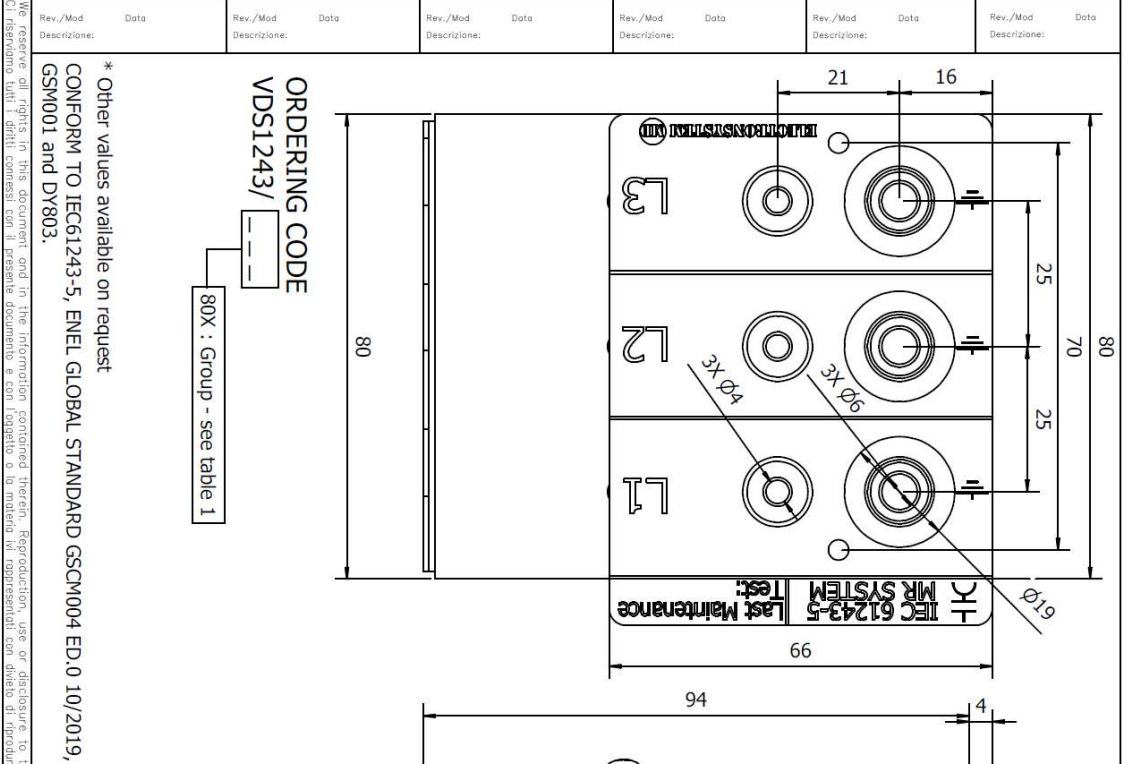
All specs are subject to change without notice

ELECTRONSYSTEM MD TECHNICAL SHEET

Revision A of 30 September 2022

Dimension VDS/MR coupling system

Drawing: 43931243



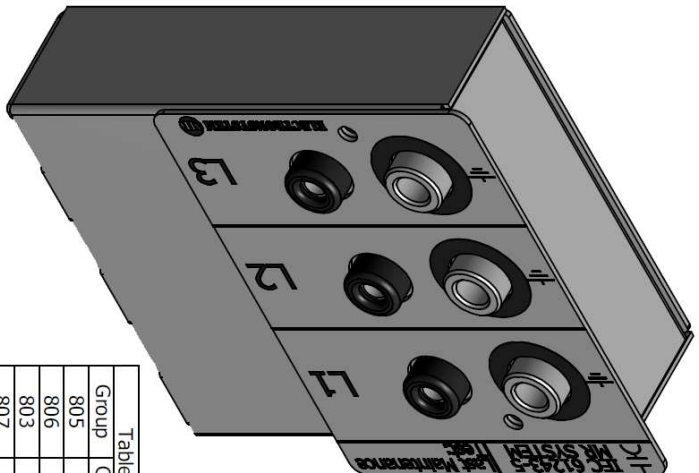
ORDERING CODE
 VDS1243/ []
 80X : Group - see table 1

* Other values available on request
 CONFORM TO IEC61243-5, ENEL GLOBAL STANDARD GSCM004 ED.0 10/2019,
 GSM001 and DY803.

We reserve all rights in this document and in the information contained therein. Reproduction, use or disclosure to third parties without express authority is strictly forbidden. We reserve also the right to modify the drawing without notice. Ci riserviamo tutti i diritti, compresi con il presente documento e con l'oggetto o lo materia in rappresentati, con divieto di riproduzione, utilizzo o vendita senza permesso.

Prep. Dis. C. FORLANI	ELECTRONSYSTEM MD S.r.l.	
App. P. GIUZZETTI		
First Issue: 06.11.2020	Resp. Dep. Technical Dept.	Title VDS/MR SOCKET
NOTE :	Uff. Resp.	The Appointee 43931243
		N° Doc. 1

Group	C2 [pF]*
805	110
806	220
803	330
807	470
802	560
808	680
809	820
810	1000
811	2200
804	3300
801	4700
812	22000



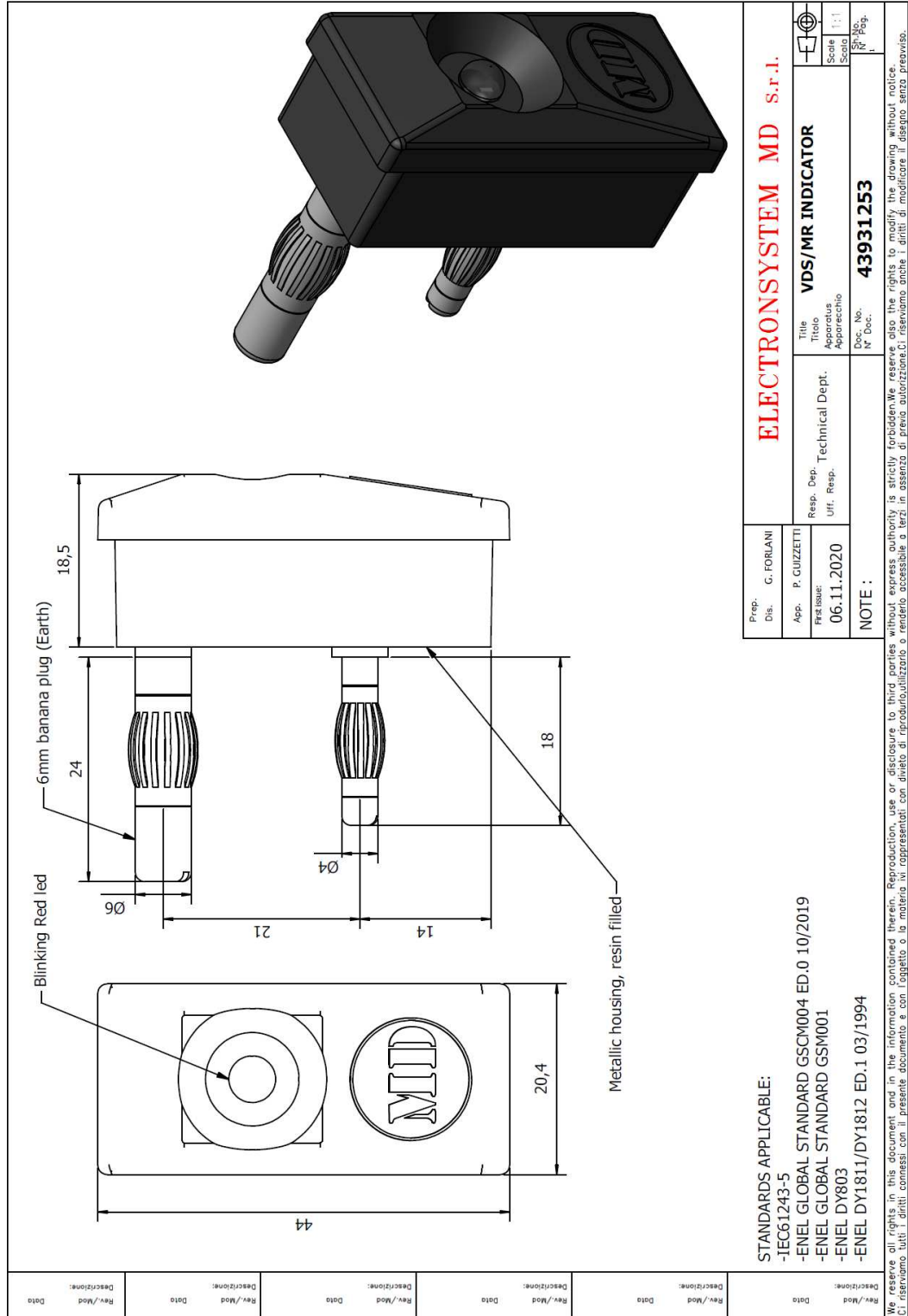
All specs are subject to change without notice

ELECTRONSYSTEM MD TECHNICAL SHEET

Revision A of 30 September 2022

Dimension VDS/MR indicator

Drawing: 43931253



All specs are subject to change without notice

ELECTRONSYSTEM MD TECHNICAL SHEET

Revision A of 30 September 2022

Rev./Mod	Data	Rev./Mod	Data	Rev./Mod	Data	Rev./Mod	Data	Rev./Mod	Data	Rev./Mod	Data
Descrizione:		Descrizione:		Descrizione:		Descrizione:		Descrizione:		Descrizione:	
<p>COUPLING TABLE GROUP 810</p> <p>COUPLING TABLE GROUP 811</p>											
<p>ELECTRONSYSTEM MD S.R.L.</p> <p>VDS/MR ASSEMBLY</p> <p>Doc. No. 43931230</p> <p>Scale 1:1</p>											
<p>NOTE :</p>											
<p>Prep. G. FORLANI</p> <p>Dis. P. GUZZETTI</p> <p>App. P. GUZZETTI</p> <p>Resp. Dept. Technical Dept.</p> <p>UFF. Resp.</p> <p>Titolo VDS/MR ASSEMBLY</p> <p>Apparatus VDS/MR ASSEMBLY</p> <p>Apparecchio</p> <p>Doc. No. 43931230</p> <p>N° Doc.</p>											
<p>We reserve all rights in this document and in the information contained therein. Reproduction, use or disclosure to third parties without express authority is strictly forbidden. We reserve also the rights to modify the drawing without notice. Ci riserviamo tutti i diritti connessi con il presente documento e con l'oggetto o la materia ivi rappresentati con divieto di riproduzione/utilizzo o rendere accessibile a terzi in assenza di previa autorizzazione. Ci riserviamo anche i diritti di modificare il disegno senza preavviso.</p>											

All specs are subject to change without notice

ELECTRONSYSTEM MD TECHNICAL SHEET

Revision A of 30 September 2022

Rev./Mod	Data	Rev./Mod	Data	Rev./Mod	Data	Rev./Mod	Data	Rev./Mod	Data
Descrizione:		Descrizione:		Descrizione:		Descrizione:		Descrizione:	
<p>NOTE :</p>									
<p>ELECTRONSYSTEM MD S.R.L.</p>									
<p>VDS/MR ASSEMBLY</p>									
<p>43931230</p>									
<p>Scale 1:1</p>									
<p>Sheet No. 1 of 1</p>									

We reserve all rights in this document and in the information contained therein. Reproduction, use or disclosure to third parties without express authority is strictly forbidden. We reserve also the rights to modify the drawing without notice. Ci riserviamo tutti i diritti connessi con il presente documento e con l'oggetto o la materia ivi rappresentati con divieto di riproduzione/utilizzo o renderlo accessibile a terzi in assenza di previa autorizzazione. Ci riserviamo anche i diritti di modificare il disegno senza preavviso.

All specs are subject to change without notice

STORAGE

If the complex must be storage before use, please keep dry and packed.
Do not leave outdoor.

STORAGE TEMPERATURE: -30°C ÷ +70°C

RELATIVE HUMIDITY: max 90% @ +40°C

MAINTENANCE

Maintenance of VDS/MR assembly is subjected to periodic verification with at least 24 months interval, the last year of maintenance must be indicated on front label by the customer.

WARRANTY

Device is covered by 24 months after installation or max 36 months after delivery.
In case of service the VDS must be sent back to factory for inspection.

WARNINGS

CAUTION

Do not drop or hit the VDS. The piece is fragile and may break from sudden shock.
When transporting the piece, use the original shipping box from Electronsistem MD.

DISCLAIMER NOTE:

While we provide application assistance it is up to the customer to determine the suitability for its use.

Specification may change without notice. The information we supply is believed to be accurate and reliable as of this printing.
However we assume no responsibility for its use.

The quality of Electronsistem MD products is guaranteed by a Quality, Safety and Environmental management system certified by DNV according to ISO 9001, ISO 18001 and ISO 14001. Electronsistem MD works in partnership with its customers in designing customized executions in order to meet specific requirements, please contact us.

Electronsistem MD work in partnership with its customers in designing customized executions in order to meet specific requirements, please contact us.